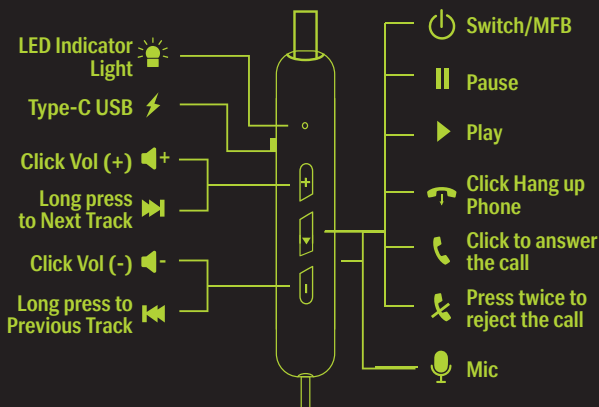


SOUND MEETS STYLE

BUTTON OVERVIEW



STEPS TO FOLLOW BEFORE USE

CHARGING

Fully charge the neckband before using it.

FIRST TIME PAIRING: Choose a Cell Phone which is compatible with Bluetooth headset or other Bluetooth devices to pair with the "Probuds N12."

SWITCHING THE NECKBAND ON & OFF



POWER ON/OFF

POWER ON : Long press the MFB for 3 seconds until the blue indicator light flashes for 1 second with the prompt tone "Power on".

POWER OFF : Long press the MFB for 5 seconds until the red indicator light flashes for 1 second with the prompt tone "Power off".



NOTE After power on, if the device is not connected until 5 minutes and it'll power off automatically.

CONNECTING WITH PHONE



PAIRING

STEP 1

Turn on your Device. Enters Bluetooth mode with Voice Prompt "Bluetooth Mode". After 1 second Enters Pairing mode with voice Prompt "Pairing".

STEP 2

Search with Bluetooth on your Device.

STEP 3

Choose "PROBUDS N12"



STEP 4

*Blue LED + Prompt tone " Connected" on PROBUDS N12

NOTE When powered on, "PROBUDS N12" automatically connects with the last paired device if it is in the connection range with Bluetooth turned on: Notifies with a voice prompt, "Connected." If the device disconnects, notify with the voice prompt "Disconnected."

FACTORY RESET



RESET FACTORY SETTING

Press both volume buttons “+” & “-” together for 5 seconds to reset the neckband.

All pairing records of your neckband are now deleted.



DUAL PAIRING

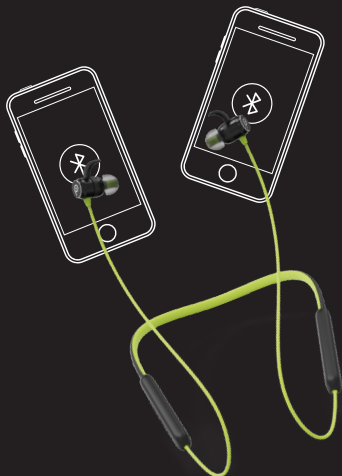
Follow the below steps to connect 2 devices with PROBUDS N12:

Pair “PROBUDS N12” with “Device A”. Once pairing is done, disable the Bluetooth function of A.

Pair “PROBUDS N12” with “Device B” and after connecting successfully enable the Bluetooth function of A.

Both Devices A & B are now connected in parallel with the PROBUDS N12.

NOTE If your Device supports the automatic re-connection function, “PROBUDS N12” will be automatically connected to Device A.



CONTROLLING THE CALLS WITH MFB



ANSWER/END CALL

Short press the "Multi-function button" to answer or end a call—notifies with the voice prompt "Incoming call" or the phone ringtone.



CALL WAITING/SWITCHING A CALL

Short press the "Multi-function button" to put the current call on hold and answer the waited call. Long single press the "Multi-function button" to switch back to the first call. Short press the "Multi-function button," and you can end the current call.



REJECT CALL

Press the "Multi-function key" twice during an incoming call.



REDIAL LAST DIALED

Triple-click the "Multi-function button" to redial the last number from the device call list.

NOTE

The above functions work in a standby or usage state

CONTROLLING THE MUSIC WITH MFB



MULTIMEDIA (MUSIC/VIDEO) PLAY/PAUSE

In music mode, press the "Multi-function button" once to Pause, Press it again to play.



VOLUME UP/DOWN

Short press the "-" button for volume down. Short press the "+" button for volume up. The beep sound indicates the maximum/minimum volume.



PREVIOUS/NEXT SONG/VIDEO

Press "-" button for 2 seconds to play the previous song/video. Press "+" button for 2 seconds to play the next song/video.

GAME



GAME MODE

When the phone is connected, press the multifunction key twice to enter/exit game mode with a Voice Prompt “Pro- Game Mode”



CONTROLLING THE VOICE ASSISTANT



ENABLING/DISABLING THE VOICE ASSISTANCE

GOOGLE/SIRI :-At the standby or music state, press the MFB button for 2 seconds and release. A beep sound will enabled the voice assistant.

Pressing MFB again for 2 seconds will disable the same.



BATTERY & CHARGING INDICATORS



LOW BATTERY

At 20% battery, Neckband will notify with voice prompt "Low Battery", and red light flash after every 5 seconds.



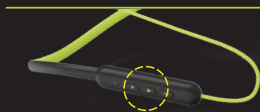
CHARGING

Red light indicator on



FULL CHARGE

Blue Light on.



SAFETY AND MAINTENANCE

Please read suggestion below in order to help prolong the product lifespan and clearly understand the warranty clauses.

- » Keep the product dry, do not put it in humid circumstance to avoid short circuit.
- » Do not expose it to the sun or high heat. High heating will short lifespan of electronic components, damage battery and deform some plastic parts.
- » Do not put it in cold circumstance to avoid damage to PCB board.
- » Do not attempt to take apart the product.
- » Do not fall, vibrate strongly, strike with hard objects, to avoid damage to inner electronic circuit.
- » Do not use high chemical products, detergent to clean the item.
- » Do not scratch the surface with sharp items to avert damaging the case and appearance.
- » Do not over charge continuously for the sake of lifespan.



Probuds N12
BY LAVA

www.lavamobiles.com